

YEA EMC Shielding Box Datasheet

General Description

The **YEA EMC Shielding Box**, is a high-performance enclosure designed to provide exceptional signal attenuation for Electromagnetic Compatibility (EMC) testing applications. With an attenuation of 90 dB, this shielding box ensures a controlled testing environment by preventing external signals from interfering with the Device Under Test (DUT). Manufactured with precision from durable and highly conductive aluminum, the YEA RF Shielding Box is a reliable solution for a wide range of EMC testing scenarios.

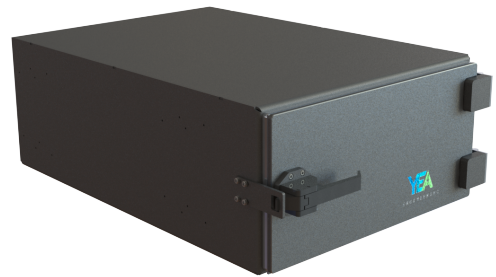


Figure 1: Shielded Box Image

Features

- **Material:** Constructed with high-conductivity aluminum, the EMC shielding box offers durability and excellent shielding properties.
- **Rack Mountable:** Designed to seamlessly integrate into standard 19" racks, the unit occupies 5U of rack space with a depth of 600mm.
- **Rack Mounting Kit:** The package includes a rack mounting kit, ensuring easy and secure installation within your existing rack infrastructure..
- **Connection Panel:** 2 DB-15 connectors and 12 SMA connectors on the back side.

Applications:

- Wireless device testing
- RF circuit evaluation
- Antenna testing
- EMC/EMI compliance testing
- Research and development in RF technology

Package Contents:

- YEA Engineering EMC Shielding Box
- Rack Mounting Kit
- Isolation characteristic graph of unique shielded boxes

System Specifications

Table 1: System Specifications

Parameter	Description	Min.	Typ.	Max.	Unit
Form Factor	Rackmount, 19"				
Height			5 (222mm)		Rack Units
Depth			600		mm
Frequency Range	for guaranteed attenuation	1		6	GHz
Attenuation			90		dBm
Connectors			2 DB15-12 SMA		

Mechanical Dimensions:

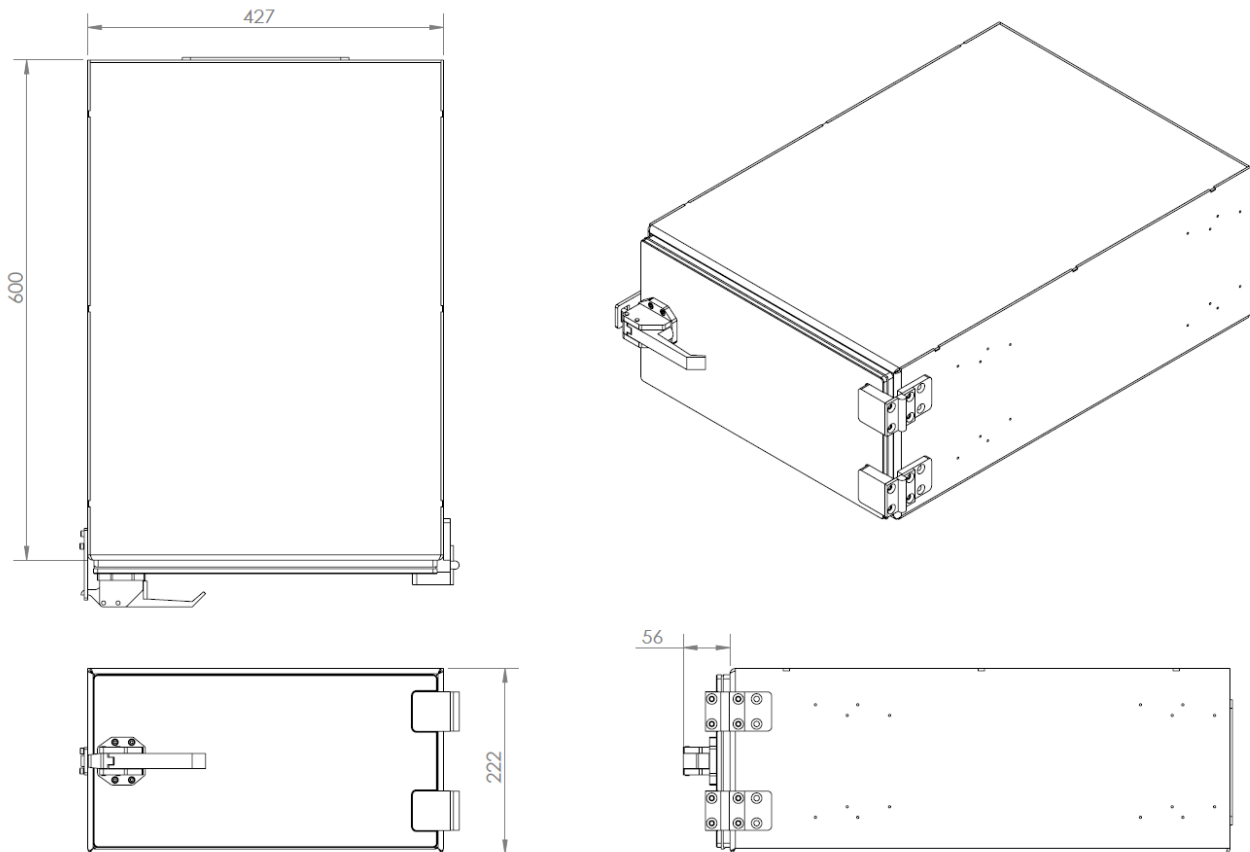


Figure 2: Mechanical Dimensions